

Clamp Lever Male Screw

Material Finished

Lever : Zinc die - Cast powder body paint
(SG, BK, RD, OR)

Screw & Set screw : SUM22L, 43 iron oxide
membrane (Black) SUS303 : LCMS

Color : SG Silver Gray

BK Delustering Black

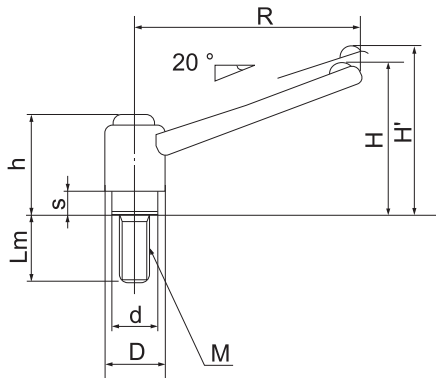
RD Red

OR Orange

Screw SUS or Steel



Number	Price ฿	Number Of Teeth	M	R	H	H'	h	s	D	d	Lm (Screw)	
											Steel	SUS
9L27 5931	---	18	M4	40	31.5	35	24.5	4	13	10	12•16•20•25•32	---
9L27 5932	---	18	M5	40	31.5	35	24.5	4	13	10	12•16•20•25•32•40•50	12•16•20•25•32•40•50
9L27 5933	---	18	M6	40	31.5	35	24.5	4	13	10	12•16•20•25•32•40•50	12•16•20•25•32•40•50
9L27 5934	---	24	M6	65	44	48	31	6.5	17.5	13.5	12•16•20•25•32•40•50•63	16•20•25•32•40•50•63
9L27 5935	---	24	M8	65	44	48	31	6.5	17.5	13.5	12•16•20•25•32•40•50•63	16•20•25•32•40•50•63
9L27 5936	---	26	M8	80	53	57	36	8	21	16	16•20•25•32•40•50•63•80	---
9L27 5937	---	26	M10	80	53	57	36	8	21	16	16•20•25•32•40•50•63•80	20•25•32•40•50•63•80
9L27 5938	---	24	M10	65	44	48	31	6.5	17.5	13.5	20•25•32•40•50•63•80	---
9L27 5939	---	28	M12	95	65	69	43	11	24	19	25•32•40•50•63•80	25•32•40•50•63•80
9L27 5940	---	26	M12	80	65	57	36	8	21	16	25•32•40•50•63•80	---
9L27 5941	---	30	M16	110	76.5	81.5	50.5	12	30	23	32•40•50•63•80	32•40•50•63•80



Steel				SUS			
Number	Mfr's	Price ฿	Lm	Number	Mfr's	Price ฿	Lm
4D21 5601	LCM-5	---	12~50	4D21 5611	LCMS-5	---	12~50
4D21 5602	LCM-6	---	12~50	4D21 5612	LCMS-6	---	12~50
4D21 5603	LCM-6B	---	12~63	4D21 5613	LCMS-6B	---	12~63
4D21 5604	LCM-8	---	12~63	4D21 5614	LCMS-8	---	12~63
4D21 5605	LCM-8B	---	16~80	---	---	---	---
4D21 5606	LCM-10	---	16~80	4D21 5615	LCMS-10	---	20~80
4D21 5607	LCM-10A	---	20~80	---	---	---	---
4D21 5608	LCM-12	---	25~80	4D21 5616	LCMS-12	---	25~80
4D21 5609	LCM-12A	---	25~80	---	---	---	---
4D21 5610	LCM-16	---	32~80	4D21 5617	LCMS-16	---	32~80

To order please identify **Lm** length material type and handle color example 9L27 5932 - 12 Steel .

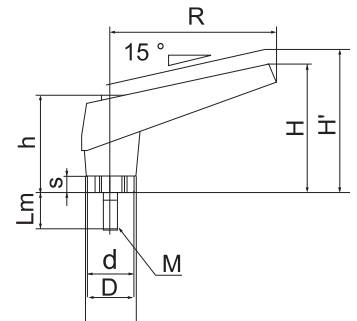
Plastic Clamp Lever Male Screw

Material Finished

Glass fiber reinforced plastic make. Light weight toughness
it is superior in corrosion-resistant characteristic.

- Lever : FRP (Delustering black)

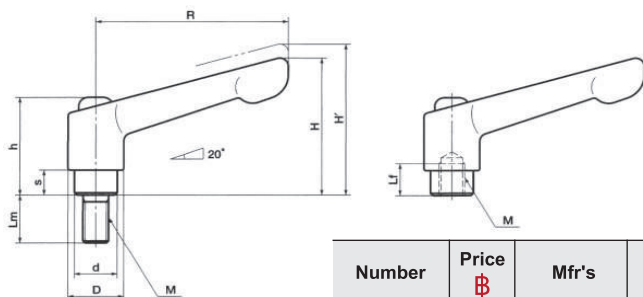
- Screw : S45C and Trivalent chromate filming.



Number	Mfr's	Price ฿	Number Of Teeth	M	Lm	R	H	H'	h	s	D	d
8L20 2444	LK-4	---	15	M4	10•15•20	51	41	46	31	5	17	15
8L20 2445	LK-5	---	15	M5	12•15•20	51	41	46	31	5	17	15
8L20 2446	LK-6	---	16	M6	15•20•25	68	50	55	35	7	20	16
8L20 2447	LK-8	---	16	M8	15•20•25•30•40	68	50	55	35	7	20	16
8L20 2448	LK-10	---	18	M10	20•25•30•40•50	85	58	63	38	8	24	20

To Order please identify **Lm** length.
Example 8L20 2445-15; make screw M5
screw length 15 mm.

Clamping Lever Female Screw



Clamping lever made of all
stainless steels.

All parts are made
of stainless steels.

Excellent corrosion
resistance and strength.



Number	Price ฿	Mfr's	M	Lf	R	H	H'	h	s	D	d	Number Of Teeth	Rated Load (N)	Max. Tirghtening (kN)
8F85 5674	---	LDFS-3-NI	M3	7	45	35	38.5	24.5	4	13	10	18	13	1.4
8F85 5675	---	LDFS-4-NI	M4	9	45	35	38.5	24.5	4	13	10	18	29	2.4
8F85 5676	---	LDFS-5-NI	M5	9	45	35	38.5	24.5	4	13	10	18	60	3.9