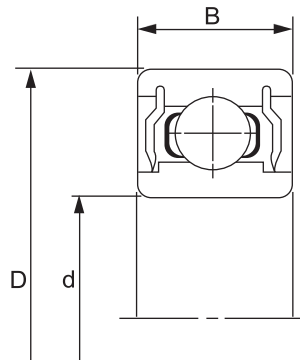


Ball Bearings

Precision Stainless Steel Ball Bearings



Metric Sizes

| Dia. (d) | OD (D) | Dynamic Load Ratings (kgf) | Max. x 1000 rpm. | Wd. B | Open | | Metal Shield | | Rubber Seal | |
|----------|--------|----------------------------|------------------|-------|-----------|---------|--------------|---------|-------------|---------|
| | | | | | Number | Price ₪ | Number | Price ₪ | Number | Price ₪ |
| 10 | 26 | 463 | 36 | 8 | 8B20 6000 | — | 8C20 6000 | — | 8D20 6000 | — |
| 10 | 30 | 521 | 29 | 9 | 8B20 6200 | — | 8C20 6200 | — | 8D20 6200 | — |
| 10 | 35 | 825 | 27 | 11 | 8B20 6300 | — | 8C20 6300 | — | 8D20 6300 | — |
| 12 | 28 | 521 | 32 | 8 | 8B20 6001 | — | 8C20 6001 | — | 8D20 6001 | — |
| 12 | 32 | 693 | 27 | 10 | 8B20 6201 | — | 8C20 6201 | — | 8D20 6201 | — |
| 12 | 37 | 989 | 25 | 12 | 8B20 6301 | — | 8C20 6301 | — | 8D20 6301 | — |
| 15 | 32 | 570 | 27 | 9 | 8B20 6002 | — | 8C20 6002 | — | 8D20 6002 | — |
| 15 | 35 | 779 | 24 | 11 | 8B20 6202 | — | 8C20 6202 | — | 8D20 6202 | — |
| 15 | 42 | 1166 | 20 | 13 | 8B20 6302 | — | 8C20 6302 | — | 8D20 6302 | — |
| 17 | 35 | 611 | 25 | 10 | 8B20 6003 | — | 8C20 6003 | — | 8D20 6003 | — |
| 17 | 40 | 976 | 21 | 12 | 8B20 6203 | — | 8C20 6203 | — | 8D20 6203 | — |
| 20 | 42 | 956 | 21 | 12 | 8B20 6004 | — | 8C20 6004 | — | 8D20 6004 | — |
| 20 | 47 | 1310 | 17 | 14 | 8B20 6204 | — | 8C20 6204 | — | 8D20 6204 | — |
| 20 | 52 | 1619 | 17 | 15 | 8B20 6304 | — | 8C20 6304 | — | 8D20 6304 | — |
| 25 | 47 | 1026 | 18 | 12 | 8B20 6005 | — | 8C20 6005 | — | 8D20 6005 | — |
| 25 | 52 | 1429 | 15 | 15 | 8B20 6205 | — | 8C20 6205 | — | 8D20 6205 | — |
| 25 | 62 | 2100 | 13 | 17 | 8B20 6305 | — | 8C20 6305 | — | 8D20 6305 | — |
| 30 | 55 | 1349 | 15 | 13 | 8B20 6006 | — | 8C20 6006 | — | 8D20 6006 | — |
| 30 | 62 | 1984 | 13 | 16 | 8B20 6206 | — | 8C20 6206 | — | 8D20 6206 | — |
| 30 | 72 | 2717 | 12 | 19 | 8B20 6306 | — | 8C20 6306 | — | 8D20 6306 | — |
| 35 | 62 | 1628 | 13 | 14 | 8B20 6007 | — | 8C20 6007 | — | 8D20 6007 | — |
| 35 | 72 | 2618 | 11 | 17 | 8B20 6207 | — | 8C20 6207 | — | 8D20 6207 | — |
| 40 | 68 | 1711 | 12 | 15 | 8B20 6008 | — | 8C20 6008 | — | 8D20 6008 | — |
| 40 | 80 | 2969 | 10 | 18 | 8B20 6208 | — | 8C20 6208 | — | 8D20 6208 | — |
| 45 | 75 | 1819 | 11 | 16 | 8B20 6009 | — | 8C20 6009 | — | 8D20 6009 | — |
| 45 | 85 | 3336 | 9.2 | 19 | 8B20 6209 | — | 8C20 6209 | — | 8D20 6209 | — |

Ball Bearing Extra Thin Width

Standard material for rings and balls is a vacuum degassed high carbon chromium steel allowing for high efficiency, low torque, low noise level and long bearing life.

For bearings requiring anti - corrosion or heat - resistance properties also available in stainless steel model please consult sale engineers.



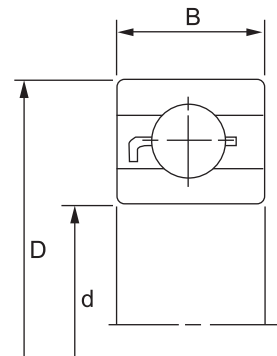
| Dia. (d) | OD (D) | Seal, Shield Type Width B ₁ | Max. x 1000 rpm. | Open | | |
|----------|--------|--|------------------|-------|--------|---------|
| | | | | Wd. B | Number | Price ₪ |

ET Series - Metric Size

| | | | | | | |
|----|----|-----|----|-----|-----------|---|
| 10 | 15 | 4 | 35 | 3 | 5E66 1510 | — |
| 15 | 20 | — | 26 | 3.5 | 5E66 2015 | — |
| 15 | 21 | — | 26 | 3.5 | 5E66 2115 | — |
| 16 | 22 | — | 24 | 4 | 5E66 2216 | — |
| 16 | 23 | 4.5 | 24 | 4.5 | 5E66 2316 | — |
| 18 | 24 | — | 21 | 4 | 5E66 2418 | — |
| 20 | 25 | 4 | 20 | 4 | 5E66 2520 | — |

ER Series - Inch Size

| | | | | | | |
|--------|--------|--------|----|--------|-----------|---|
| 0.3750 | 0.7500 | 0.1960 | 35 | 0.1960 | 5E66 1238 | — |
| 0.3750 | 0.6250 | 0.1562 | 26 | 0.1562 | 5E66 1038 | — |
| 0.5000 | 0.8750 | 0.1960 | 26 | 0.1960 | 5E66 1412 | — |
| 0.5000 | 0.7500 | 0.1562 | 24 | 0.1562 | 5E66 1212 | — |
| 0.6250 | 1.0000 | 0.1960 | 24 | 0.1960 | 5E66 1658 | — |
| 0.6250 | 0.8750 | 0.1562 | 21 | 0.1562 | 5E66 1458 | — |
| 0.7500 | 1.1248 | 0.2812 | 20 | 0.2812 | 5E66 1834 | — |



Component favorite list makes ordering online easy!