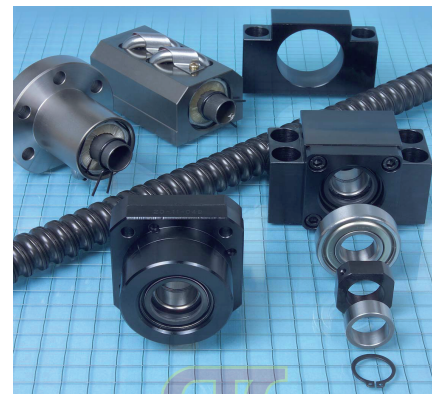


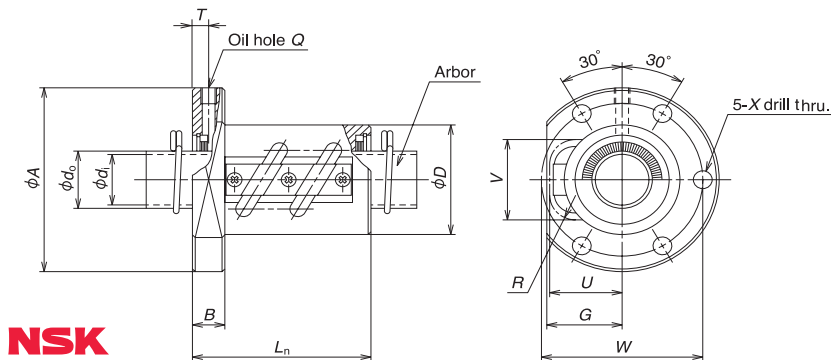
# Ball Screw Peripherals

## Precision Ball Screws, Nuts

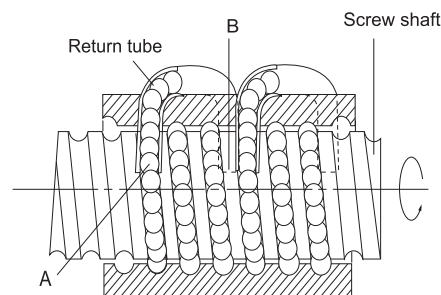
Ball screws are convenient and efficient devices for converting rotary to linear motion. Because of their reliability and high efficiency they are utilized in replacing conventional methods of power transmission. Their high efficiency is developed by using bearing balls to limit friction between the nut and the screw. Unlimited travel is achieved by recirculating the bearing balls through return guides. All ball screws are right hand thread. Made of high quality alloy steel induction hardened to RC 56-60. Nuts are made of Hardening with ball tracks heat treated to RC 58-60. To order please specify length of ball screw shaft (L) and shaft end point configuration as per your requirement.



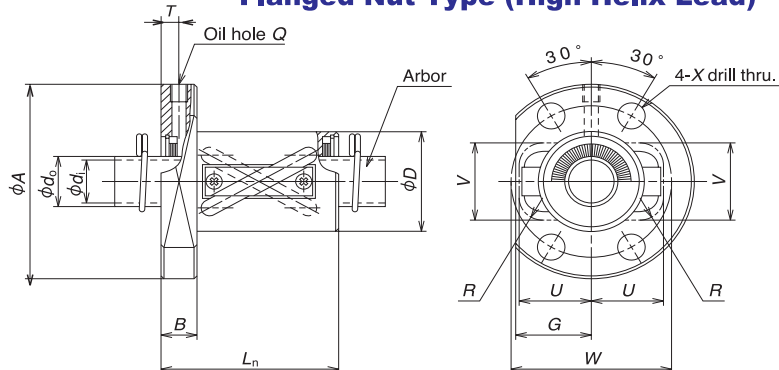
### Rolled Ball Screws (Tube Type : Flanged Nut - Fine, Medium Lead)



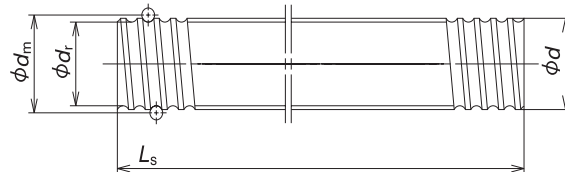
**NSK**



### Flanged Nut Type (High Helix Lead)



Quick, convenient ordering anytime online.



Shaft Dia. <i>d</i>	Lead <i>l</i>	Effective Turns Ball Turns X Circuits	Basic Load Rating (N)		Ball Nut Dimensions										Screw Shaft Standard Lg. <i>L</i>	Shaft Mass/m (kg.)	Number	Price ฿		
			Dynamic Ca	Static Coa	Outside Dia.		Flange Dia.		Lg.	Bolt Hole		Oil Hole		Project Tube						
					<i>D</i>	<i>A</i>	<i>G</i>	<i>B</i>		<i>L</i>	<i>W</i>	<i>X</i>	<i>Q</i>	<i>T</i>					<i>U</i>	<i>V</i>

### Rolled Ball Screw (Flanged Nut - Fine, Medium Lead)

10	3	3.5X1	3780	6730	20	40	15	6	34	30	4.5	M3X0.5	3.0	15	15	7	800	0.50	7H20 8711	—
16	10	2.5X1	5660	11500	30	53	23	10	54	41	5.5	M6X1	5.5	23	22.5	8	1000	1.37	7H20 8712	—
																			7H20 8713	—
18	8	3.5X1	13200	25800	34	63	27	12	58	49	6.6	M6X1	6.0	27	27	8	1000	1.60	7H20 8714	—
20	5	2.5X1	6360	14200	40	60	28	10	46	50	4.5	M6X1	5.0	28	27	10	1000	2.17	7H20 8715	—
20	10	2.5X1	10900	21800	40	67	30	12	59	53	6.6	M6X1	6.0	30	29	12	1000	2.18	7H20 8716	—
25	5	2.5X2	12800	36300	42	71	28	12	66	57	6.6	M6X1	6.0	28	31	10	2000	3.47	7H20 8717	—
25	10	2.5X1	17500	35200	44	80	34	15	62	62	9	M6X1	7.5	34	37	17	2000	3.13	7H20 8718	—
28	6	2.5X2	13500	40600	50	79	33	15	79	65	6.6	M6X1	7.5	33	34	10	1000	4.47	7H20 8719	—
32	10	2.5X2	35700	92200	55	97	39	18	97	75	11	M6X1	9.0	39	42	17	1000	5.53	7H20 8720	—

### Flanged Nut Type (High Helix Lead)

12	12	1.5X2	3360	6270	—	44	17	8	44	34	4.5	M3X0.5	4.0	17	16	5	400	0.74	7H20 8724	—
16	16	1.5X2	4880	9650	—	55	22	10	50	43	6.6	M6X1	5.0	22	7	7	500	1.37	7H20 8725	—
20	20	1.5X2	7010	15400	—	68	25	12	59	52	9	M6X1	6.0	25	27	8	500	2.19	7H20 8726	—
25	25	1.5X2	10500	24100	—	80	31	12	69	63	9	M6X1	6.0	31	32	10	1000	3.43	7H20 8727	—
32	32	1.5X2	15300	37100	—	100	37	15	84	80	11	M6X1	7.5	37	40	12	1000	5.71	7H20 8728	—
40	40	1.5X2	24400	61600	—	120	46	18	103	95	14	M6X1	9.0	46	49	15	2000	8.82	7H20 8729	—