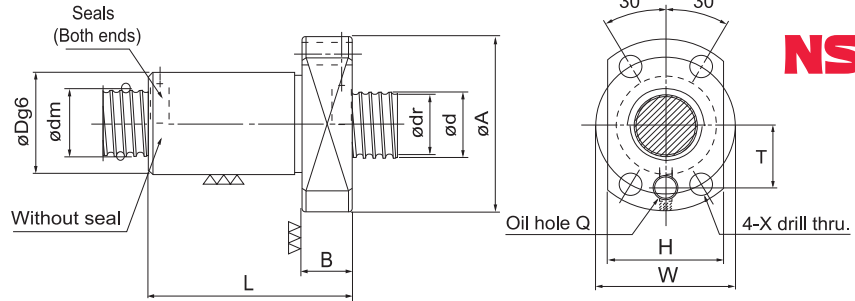


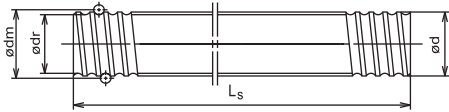
# Precision Ball Screws

## Deflector Type, Miniature Fine Lead, Flanged Single Nut



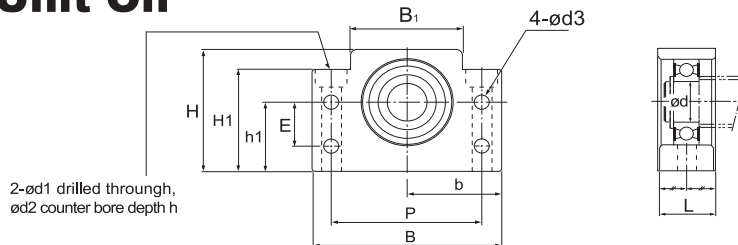
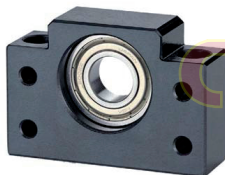
**NSK**

A ball nut contains ball bearings that circulate in the groove of a ball screw to reduce friction between the nut and the screw. Together they provide smooth precise positioning control over the full length of the ball screw. They also convert rotary motion to linear. Note : Ball nuts are furnished with a cardboard tube to keep ball bearings in place. Do not remove the tube until you are ready to install the nuts onto the screws. To order please identify screw length.



Shaft Dia. <i>d</i>	Lead <i>l</i>	Shaft Length <i>L</i>	Effective Turns of Ball Turns X Circuits	Basic Load Rating (N)		Axial <i>K</i> (N/μm)	Ball Nut Dimensions							Mfr's	Number	Price ₱
				Dynamic <i>C<sub>a</sub></i>	Static <i>C<sub>0a</sub></i>		D	A	H	B	L	W	X			
4	0.5	300	1x3	170	280	47	10	22	11	3	13	16	3.4	MPFD 0400.5-3 MPFD 0401-2	1M07 7241	—
	1	300	1x2	315	370	34	10	20	14	3	12	15	2.9		1M07 7242	—
6	0.5	500	1x3	205	430	66	12	24	13	3	13	18	3.4	MPFD 0600.5-3 MPFD 0601-3 MPFD 0602-3	1M07 7243	—
	1	500	1x3	575	925	76	12	24	16	3.5	15	18	3.4		1M07 7244	—
	2	500	1x3	575	925	76	13	25	17	4	17	19	3.4		1M07 7245	—
8	0.5	1000	1x3	230	595	85	14	27	15	3	13	21	3.4	MPFD 0800.5-3 MPFD 0801-3 MPFD 0801.5-3 MPFD 0802-3	1M07 7246	—
	1	1000	1x3	670	1290	99	14	27	18	4	16	21	3.4		1M07 7247	—
	1.5	1000	1x3	1080	1980	117	15	28	19	4	22	22	3.4		1M07 7248	—
	2	1000	1x3	1320	2210	113	16	29	20	4	26	23	3.4		1M07 7249	—
10	1	1000	1x3	745	1660	120	16	29	20	4	16	23	3.4	MPFD 1001-3 MPFD 1002-3 MPFD 1002.5-3	1M07 7250	—
	2	1000	1x3	1490	2850	138	18	35	22	5	28	27	4.5		1M07 7251	—
	2.5	1000	1x3	2130	3640	140	19	36	23	5	32	28	4.5		1M07 7252	—
12	1	2000	1x3	795	1980	137	18	31	22	4	16	25	3.4	MPFD 1201-3 MPFD 1202-3 MPFD 1202.5-3 MPFD 1203-3	1M07 7253	—
	2	2000	1x3	1660	3620	168	20	37	24	5	28	29	4.5		1M07 7254	—
	2.5	2000	1x3	2360	4540	167	21	38	25	5	32	30	4.5		1M07 7255	—
	3	2000	1x3	3120	5420	166	22	39	26	5	36	31	4.5		1M07 7256	—
14	2	2000	1x3	1780	4270	191	22	41	26	6	29	32	5.5	MPFD 1402-3 MPFD 1403-3	1M07 7257	—
	3	2000	1x3	3400	6490	196	24	43	28	6	37	34	5.5		1M07 7258	—
16	2	2000	1x4	3510	8450	288	25	44	29	10	40	35	5.5	MPFD 1602-4 MPFD 1602.5-4	1M07 7259	—
	2.5	2000	1x4	3510	8450	288	25	44	29	10	44	35	5.5		1M07 7260	—
20	2	2000	1x4	3910	10900	351	30	49	34	10	40	40	5.5	MPFD 2002-4 MPFD 2502-4	1M07 7261	—
25	2	2000	1x4	4310	13900	425	36	55	40	10	40	46	5.5		1M07 7262	—

## Square Type Support Unit On The Supported Side



Shaft Dia. (d)	L	B	H	<i>h</i> <sub>1</sub> ± 0.02	B <sub>1</sub>	H <sub>1</sub>	E	P	<i>d</i> <sub>3</sub>	<i>d</i> <sub>1</sub>	<i>d</i> <sub>2</sub>	<i>h</i>	Mfr's	Number	Price ₱
8	20	60	39	22	34	32.5	15	46	5.5	6.6	10.8	5	BF 10	7F61 1110	—
10	20	60	43	25	35	32.5	18	46	5.5	6.6	10.8	1.5	BF 12	7F61 1112	—
15	20	70	48	28	40	38	18	54	5.5	6.6	11	6.5	BF 15	7F61 1115	—
17	23	86	64	39	50	55	28	68	6.6	9	14	8.5	BF 17	7F61 1117	—
20	26	88	60	34	52	50	22	70	6.6	9	14	8.5	BF 20	7F61 1120	—