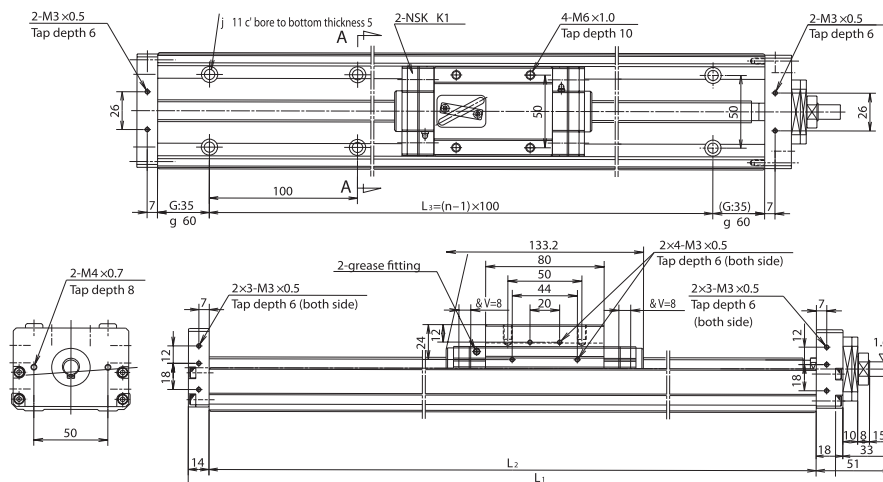


MCM Monocarrier (Model MCM08)

(Continued from previous page)



NSK

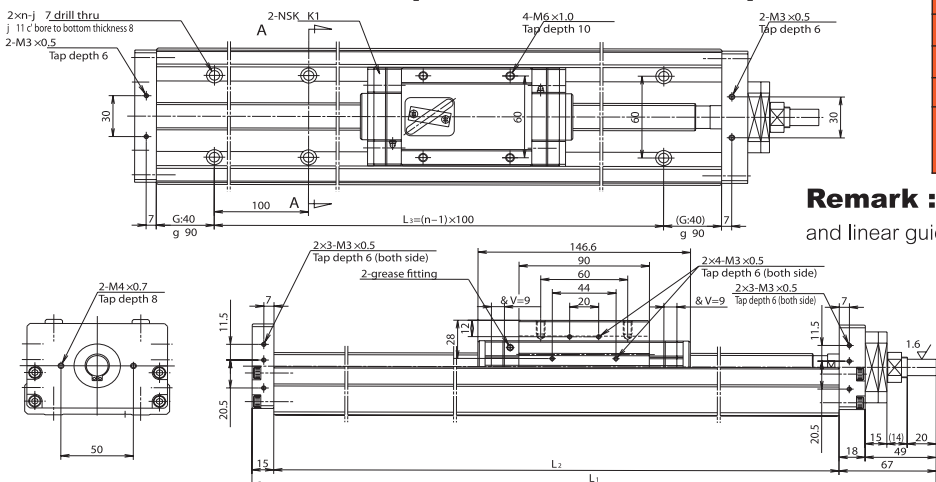
Number	Mfr's	Price ฿	Stroke Travel (mm)	Ballscrew Lead (mm)	Dimension (mm)			Mounting Hole n	GD ² (kgf · cm ²)	Weight (kgf.)
					L1	L2	L3			
6D99 5301	MCM08010H10-000A	—	100	10	335	270	200	3	0.47	4.6
6D99 5302	MCM08020H10-000A	—	200	10	435	370	300	4	0.58	5.5
6D99 5303	MCM08030H10-000A	—	300	10	535	470	400	5	0.69	6.5
6D99 5304	MCM08030H20-000A	—	300	20	535	470	400	5	1.07	6.5
6D99 5305	MCM08040H10-000A	—	400	10	635	570	500	6	0.79	7.4
6D99 5306	MCM08040H20-000A	—	400	20	635	570	500	6	1.18	7.4
6D99 5307	MCM08050H10-000A	—	500	10	735	670	600	7	0.90	8.4
6D99 5308	MCM08050H20-000A	—	500	20	735	670	600	7	1.28	8.4
6D99 5309	MCM08060H10-000A	—	600	10	835	770	700	8	1.01	9.3
6D99 5310	MCM08060H20-000A	—	600	20	835	770	700	8	1.39	9.3
6D99 5311	MCM08070H10-000A	—	700	10	935	870	800	9	1.10	10.5
6D99 5312	MCM08070H20-000A	—	700	20	935	870	800	9	1.50	10.5

Linear Guide Specifications		
Basic Load Rating (kgf.)	Dynamic C ₂	1460
	Static C _{0a}	2320
Preload (kgf)		15
Static Moment Load Rating (kgf · m)	M _{R0}	74
	M _{P0}	28
	M _{Y0}	28

Ballscrew Specifications		
Shaft Dia. (mm)	15	
Lead (mm)	10	20
No. of Circuits	2.5 x 1	1.5 x 1
Basic Load Rating (kgf.)	Dynamic C ₂	720
	Static C _{0a}	1300
		465
		790

Remark : The lubricant grease is packed in ball nut and linear guide. Travel limit = Nomial + (26 X 2) mm.

MCM Monocarrier (Model MCM10)



Ballscrew Specifications		
Shaft Dia. (mm)	20	
Lead (mm)	10	20
No. of Circuits	1.5 x 1	1.5 x 1
Basic Load Rating (kgf.)	Dynamic C ₂	1110
	Static C _{0a}	2210
		1290

Remark : The lubricant grease is packed in ball nut and linear guide. Travel limit = Nomial + (25.5 X 2) mm.

NSK

Number	Mfr's	Price ฿	Stroke Travel (mm)	Ballscrew Lead (mm)	Dimension (mm)			Mounting Hole n	GD ² (kgf · cm ²)	Weight (kgf.)
					L1	L2	L3			
6D32 6690	MCM10020H10-000A	—	200	10	462	380	300	4	1.73	9.5
6D32 6691	MCM10030H10-000A	—	300	10	562	480	400	5	2.09	11.2
6D32 6692	MCM10030H20-000A	—	300	20	562	480	400	5	2.45	11.2
6D32 6693	MCM10040H10-000A	—	400	10	662	580	500	6	2.45	12.9
6D32 6694	MCM10041H20-000A	—	400	20	662	580	500	6	3.04	12.9
6D32 6695	MCM10050H10-000A	—	500	10	762	680	600	7	2.81	14.6
6D32 6696	MCM10050H20-000A	—	500	20	762	680	600	7	3.40	14.6

Linear Guide Specifications		
Basic Load Rating (kgf.)	Dynamic C ₂	2000
	Static C _{0a}	3000
Preload (kgf)		20
Static Moment Load Rating (kgf · m)	M _{R0}	119
	M _{P0}	43
	M _{Y0}	43