

# Ball Joint Linkages

## Heavy Duty Ball Joint Linkages

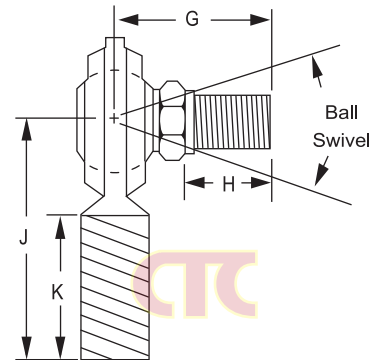
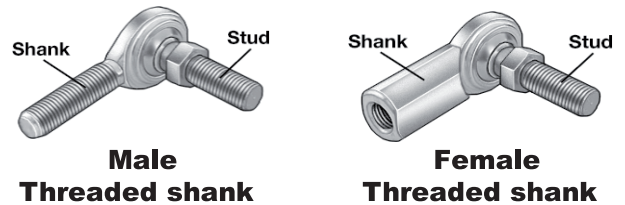
Think of these as ball joint rod end with the studs already attached to simplify mounting. They have a ball stud that's machined to fit perfectly inside it's housing. They're great for clutches throttles and shift control rods. Maximum ball swivel is approximately 10" . Not load rated.

General purpose ball joint linkages feature a zinc - plated steel housing and a chrome - plated, 52100 bearing - steel ball stud. They may require periodic lubrication.

Lubrication free ball joint linkages feature an oil - impregnated. They have a zinc - plated steel housing and a chrome - plated steel ball stud.

High - Performance lubrication - Free ball joint linkages are our strongest. They have a PTFE - lined, heat - treated steel race a zinc - plated alloy steel housing and a chrome - plated 52100 bearing - steel ball stud. Temperature range is -53° to 162°C.

Order please specify right - or left - hand shank threads as well as right - or left - hand stud threads.



### Right Hand Threaded Shank Tightens When Turned Clockwise

### Left Hand Threaded Shank Tightens When Turned Clockwise

Stud and Shank Thread Size	G	H	Ball Dia.	Male - Threaded Shank				Female - Threaded Shank			
				J	K	Number	Price \$	J	K	Number	Price \$
<b>General Purpose</b>											
10-32	1 1/64"	1/2"	7/16"	1 1/4"	3/4"	6L64 5021	---	1 1/16"	1/2"	6L64 5841	---
1/4"-28	1 1/32"	9/16"	1/2"	1 9/16"	1"	6L64 5022	---	1 5/16"	11/16"	6L64 5842	---
5/16"-24	1 7/32"	11/16"	5/8"	1 7/8"	1 1/4"	6L64 5023	---	1 3/8"	11/16"	6L64 5843	---
3/8"-24	1 9/16"	29/32"	23/32"	1 15/16"	1 1/4"	6L64 5024	---	1 5/8"	13/16"	6L64 5844	---
7/16"-20	1 3/4"	1 1/16"	13/16"	2 1/8"	1 3/8"	6L64 5025	---	1 13/16"	15/16"	6L64 5845	---
1/2"-20	2"	1 1/8"	15/16"	2 7/16"	1 1/2"	6L64 5026	---	2 1/8"	1 1/16"	6L64 5846	---
5/8"-18	2 1/2"	1 1/2"	1 1/8"	2 5/8"	1 5/8"	6L64 5027	---	2 1/2"	1 3/8"	6L64 5847	---
3/4"-16	3"	1 13/16"	1 5/16"	2 7/8"	1 3/4"	6L64 5028	---	2 7/8"	1 9/16"	6L64 5848	---
<b>Lubrication Free</b>											
10-32	1 1/64"	1/2"	7/16"	1 1/4"	3/4"	6L72 0081	---	1 1/16"	1/2"	6L72 8071	---
1/4"-28	1 1/32"	9/16"	1/2"	1 9/16"	1"	6L72 0082	---	1 5/16"	11/16"	6L72 8072	---
5/16"-24	1 7/32"	11/16"	5/8"	1 7/8"	1 1/4"	6L72 0083	---	1 3/8"	11/16"	6L72 8073	---
3/8"-24	1 9/16"	29/32"	23/32"	1 15/16"	1 1/4"	6L72 0084	---	1 5/8"	13/16"	6L72 8074	---
7/16"-20	1 3/4"	1 1/16"	13/16"	2 1/8"	1 3/8"	6L72 0085	---	1 13/16"	15/16"	6L72 8075	---
1/2"-20	2"	1 1/8"	15/16"	2 7/16"	1 1/2"	6L72 0086	---	2 1/8"	1 1/16"	6L72 8076	---
5/8"-18	2 1/2"	1 1/2"	1 1/8"	2 5/8"	1 5/8"	6L72 0087	---	2 1/2"	1 3/8"	6L72 8077	---
3/4"-16	3"	1 13/16"	1 5/16"	2 7/8"	1 3/4"	6L72 0088	---	2 7/8"	1 9/16"	6L72 8078	---
<b>High - Performance Lubrication - Free</b>											
10-32	1 1/64"	1/2"	7/16"	1 1/4"	3/4"	6L74 5061	---	1 1/16"	1/2"	6L74 5681	---
1/4"-28	1 1/32"	9/16"	1/2"	1 9/16"	1"	6L74 5062	---	1 5/16"	11/16"	6L74 5682	---
5/16"-24	1 7/32"	11/16"	5/8"	1 7/8"	1 1/4"	6L74 5063	---	1 3/8"	11/16"	6L74 5683	---
3/8"-24	1 9/16"	29/32"	23/32"	1 15/16"	1 1/4"	6L74 5064	---	1 5/8"	13/16"	6L74 5684	---
7/16"-20	1 3/4"	1 1/16"	13/16"	2 1/8"	1 3/8"	6L74 5065	---	1 13/16"	15/16"	6L74 5685	---
1/2"-20	2"	1 1/8"	15/16"	2 7/16"	1 1/2"	6L74 5066	---	2 1/8"	1 1/16"	6L74 5686	---
5/8"-18	2 1/2"	1 1/2"	1 1/8"	2 5/8"	1 5/8"	6L74 5067	---	2 1/2"	1 3/8"	6L74 5687	---
3/4"-16	3"	1 13/16"	1 5/16"	2 7/8"	1 3/4"	6L74 5068	---	2 7/8"	1 9/16"	6L74 5688	---