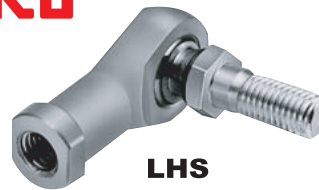


Link Ball & Cam Followers

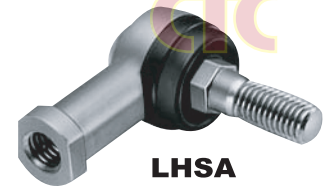
Metric Link - Balls

Link - Balls are self-aligning rod-ends consisting of a special die-cast zinc alloy body and a stud ball which has its axis at right angles to the body. They can perform tilting movement oscillating movement and rotation with low torque and transmit power smoothly due to uniform clearance between the sliding surfaces. Their superior wear resistance assures stable accuracy for long periods of time and maintenance is simple. They are very economical bearings. For these reasons they are widely used in link mechanisms in automobiles construction machinery farm and packaging machines etc.

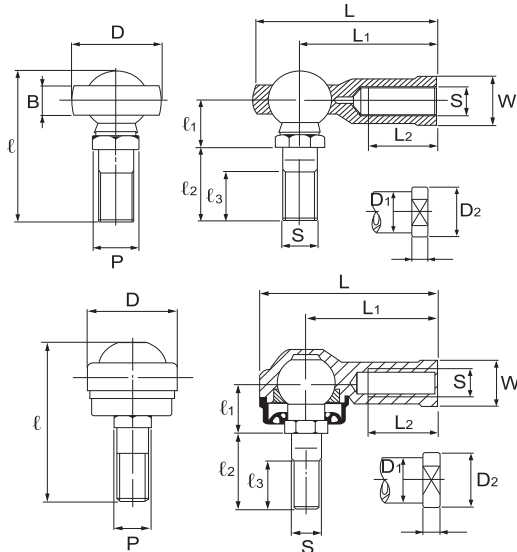
IKO



LHS



LHSA



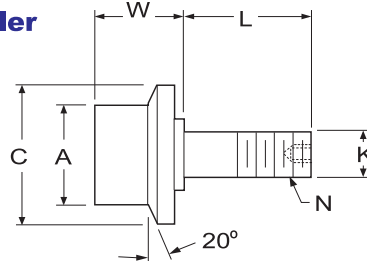
LHSA , LHS Type

Number	Mfr's	Price ฿	Boundary Dimensions (mm)								
			S (Screw)	D	L	L1	L2	ℓ	ℓ1	ℓ2	ℓ3
2P01 2971	LHSA 4	—	M4X0.7	14	25.5	18	8	19.5	7	7	5
2P01 2972	LHSA 5	—	M5X0.8	17	38.5	30	16	32.5	12	13	10
2P01 2973	LHSA 6	—	M6X1	19	39.5	30	16	32.5	12	13	10
2P01 2974	LHSA 8	—	M8X1.25	24	48	36	19	41.5	14.5	17	12.5
2P01 2975	LHSA 10	—	M10X1.25	28	57	43	23	49	16	21	17
2P01 2976	LHSA10M	—	M10X1.5	28	57	43	23	49	16	21	17
2P01 2977	LHSA12	—	M12x1.75	34	67	50	27	64	20	30	20
2P01 2978	LHSA14	—	M14X2	38	76	57	30	72	22.5	33.5	22
2P01 2979	LHS5	—	M5X0.8	17	35.5	27	16	30.5	10	15	11
2P01 2980	LHS6	—	M6X1	19.5	39.7	30	16	36.5	11.5	18.5	14
2P01 2981	LHS8	—	M8X1.25	24	48	36	19	44	14.5	21.5	15
2P01 2982	LHS10	—	M10X1.5	28	57	43	23	52.5	17	26	18
2P01 2983	LHS12	—	M12X1.75	32	66	50	27	61	20	30	20
2P01 2984	LHS14	—	M14X2	36	75	57	30	69	22.5	33.5	22
2P01 2985	LHS16	—	M16X2	40	84	64	36	74	24.5	35.5	23
2P01 2986	LHS18	—	M18X1.5	45	93.5	71	40	84	27.5	40.5	25
2P01 2987	LHS20	—	M20X1.5	49	101.5	77	43	90.5	30	43	27
2P01 2988	LHS22	—	M22X1.5	54	111	84	47	99	32.5	47.5	30

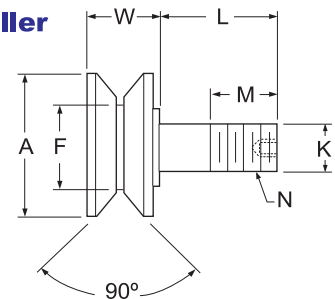
Idler Roller Cam Followers

Designed for applications where both radial and thrust loads are present. Units have either deep groove ball bearings or tapered roller bearings. Capable of running at much higher speeds than needle bearing cam followers. Tightly sealed with an expansion plug on one end and radial lip contact seals on the bearings.

Flanged Stud Roller



V - Grooved Stud Roller



Plain & Flanged Stud Rollers

Roller (In.)		Thd. Size Class 2A	Stud (In.)		Dyn. Load Cap. (lbs)	Plain		Flanged		
Dia. A	W		Dia.	L		Number	Price ฿	Dia (In.) C	Number	Price ฿
1 1/2"	1.1880	5/8"-18	5/8"	1 1/2"	2750	5G61 2039	—	2.188	5G61 2096	—
1 3/4"	1.1880	3/4"-16	3/4"	1 3/4"	2750	5G61 2047	—	2.438	5G61 2104	—
2"	1.6880	7/8"-14	7/8"	2"	3820	5G61 2054	—	2.688	5G61 2112	—
2 1/4"	1.6880	7/8"-14	7/8"	2"	3820	5G61 2062	—	2.938	5G61 2120	—
2 1/2"	1.6880	1"-14	1"	2 1/4"	5180	5G61 2070	—	3.188	5G61 2138	—
3"	2.0000	1 1/4"-12	1 1/4"	2 1/2"	14300	5G61 2088	—	3.938	5G61 2146	—

V - Grooved Stud Rollers

Roller Dia. (In.) A	Roller W (In.) W	Thread Size Class 2A N	Stud Dia. (In.) K	Stud L (In.) L	Thread L (In.) M	Point Dia. (In.) F	Dynamic Load Cap. (lbs.)	Number	Price ฿
2 1/2"	1.3120	3/4"-16	3/4"	1 3/4"	7/8"	1 1/2"	2750	5G61 2161	—
3 1/2"	1.6880	7/8"-14	7/8"	2"	1 1/8"	2 1/2"	5180	5G61 2179	—

Plain Stud Roller

