

## One Way Locking Steel Needle - Roller Bearing



Choose from two cage materials. Bearings with an acetal cage have a Max. Temp. of 93° C. Bearing with a glassfiber reinforced nylon cage are longer lasting and have a maximum temperature of 121° C.

### Inch Size

For Shaft Dia.	OD	Wd.	Locking Torqu, ft.-lbs.	Max. rpm	Acetal		Reinforced Nylon Cage	
					Number	Price ₪	Number	Price ₪
1/8"	9/32"	1/4"	0.238	50,000	2E74 8901	—	—	—
1/4"	7/16"	1/2"	1.492	38,000	2E74 8902	—	2E74 8908	—
3/8"	5/8"	1/2"	4.017	25,300	2E74 8903	—	2E74 8909	—
1/2"	3/4"	1/2"	6.525	18,700	2E74 8904	—	2E74 8911	—
5/8"	7/8"	5/8"	12.417	14,700	2E74 8905	—	2E74 8912	—
3/4"	1"	5/8"	17.167	11,300	2E74 8906	—	2E74 8913	—
1"	1 5/16"	5/8"	36.583	8,670	2E74 8907	—	2E74 8914	—

Bearings roll freely in one direction but lock to transmit torque when the rotation of the shaft is reversed. An arrow on the lip insicates the rotational direction that locks the bearing.

Used in zero-degree ratchet wrenches indexing, Backstopping and overrunning operations like those found in gearboxes differentions conveyor rollers and exercise equipment. They have a steel shell and a cage to hold the rollers in place. Use only on hardened and ground shafts.



**Metric** - Cage is plastic temperature range is -30° to + 120° C.

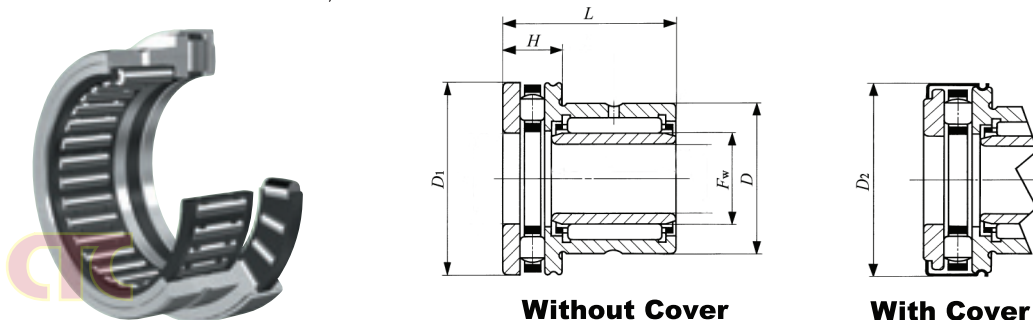
### Metric Size

For Shaft Dia.	OD	Wd.	Locking Torqu, ft.-lbs.	Max. rpm	Plastic Cage	
					Number	Price ₪
6 mm	10 mm	12 mm	1.298	23,000	6E39 2022	—
8 mm	12 mm	12 mm	2.323	17,000	6E39 2023	—
10 mm	14 mm	12 mm	3.909	14,000	6E39 2024	—
12 mm	18 mm	16 mm	8.998	11,000	6E39 2025	—
14 mm	20 mm	16 mm	12.759	9,500	6E39 2026	—
16 mm	22 mm	16 mm	15.120	8,500	6E39 2027	—
18 mm	24 mm	16 mm	17.775	7,500	6E39 2028	—
20 mm	26 mm	16 mm	21.02	7,000	6E39 2029	—
25 mm	32 mm	20 mm	48.679	5,500	6E39 2031	—

## Complex Needle Roller Bearing With Thrust Bearing

This complex bearing comprises a radial needle roller bearing for supporting radial load and a thrust bearing for supporting axial load which are assembled integrally. Both thrust ball bearing type and thrust axial roller bearing type are available as the bearing intended to support axial load.

The thrust bearing with dust-proof cover is also available, which has a good effect in preventing scattering of oil and grease and invasion of external dust, etc.



Without Cover			With Cover			Dimensions (mm)						Basic Static Load Rating (kgf)	
Number	Price ₪	Weight (g)	Number	Price ₪	Weight (g)	Fw	D	D1	D2	L	H	Radial	Axial
32N0 1523	—	54	42Z0 1523	—	55	15	24	28	29	23	9	1520	2430
32N0 1725	—	61	42Z0 1725	—	63	63	26	30	31	25	9	1660	2920
32N0 2030	—	94	42Z0 2030	—	97.5	97.5	30	35	36	30	10	2590	4970
32N0 2530	—	143	42Z0 2530	—	147	147	37	42	43	30	11	3280	6190
32N0 3030	—	160	42Z0 3030	—	166	166	42	47	48	30	11	4090	8260
32N0 3530	—	186	42Z0 3530	—	193	193	47	52	53	30	12	4710	9290
32N0 4032	—	240	42Z0 4032	—	248	248	52	60	61	32	13	5520	13600
32N0 4532	—	293	42Z0 4532	—	302	302	58	65	66.5	32	14	6130	13600
32N0 5035	—	315	42Z0 5035	—	325	325	62	70	71.5	35	14	8500	15100