

Couplings

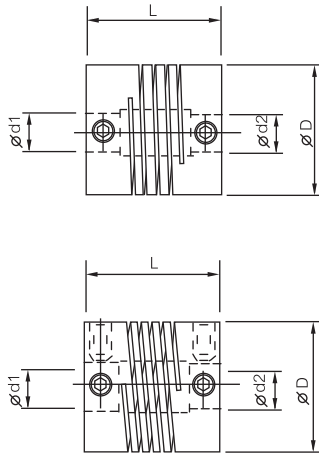
Helical Coupling (Metal Slit Coupling)

It is an integral - structured metal coupling with a spiral slit in the round material. A Perfect integrated construction eliminates backlash.

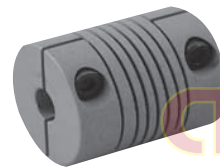
The A and DS models with high - strength aluminum alloy and 3000 model (1441 Model) with high flexibility of maximum angular misalignment 5 deg.

And the DS models is a double - slit model with high tensional rigidity. Two fastening methods can be selected for each model the set screw method and clamp method. To order please identify bore diameter at both size.

Unit : MM



ARM



ACRM



DSR



DSCR



1441



3□□□M

A C RM - 075 6 - 4
 Fastening method
 C: Clamping method
 Blank : Set screw method

1441 6 - 6
 Size d2: Bore diameter 2
 d1: Bore diameter 1

3 08 5 M 6 - 6
 Fastening method
 5: Clamping method
 2: Set screw method

Number	Mfr's	Price ฿	D	L	Torque (N • m)		Highest Rotary Speed [min - 1]	Standard Hole Diameter [mm]	Material
					Regular Use	Maximum			
5P27 1045	ARM-050	---	12.7	12.7	0.3	0.6	25000	3	Substance material : High strength aluminum alloy screw material : SCM435
5P27 1046	ARM-075	---	19.1	19.1	1.0	2.0	25000	3 • 4 • 5 • 6	
5P27 1047	ARM-100	---	25.4	25.4	1.6	3.0	25000	6 • 7 • 8 • 10	
5P27 1048	ARM-112	---	28.6	28.6	2.3	4.6	25000	8 • 10 • 11 • 12	
5P27 1049	ARCM-050	---	12.7	12.7	0.3	0.6	10000	3	
5P27 1050	ARCM-075	---	19.1	19.1	1.0	2.0	10000	3 • 4 • 5 • 6	
5P27 1051	ARCM-100	---	25.4	25.4	1.6	3.2	10000	6 • 7 • 8 • 10	
5P27 1052	ARCM-112	---	28.6	28.6	2.3	4.6	10000	8 • 10 • 11 • 12	
5P27 1053	DSR-075	---	19.1	19.1	0.8	1.6	25000	4 • 5 • 6	Substance material : High strength aluminum alloy screw material : SCM435
5P27 1054	DSR-100	---	25.4	25.4	1.8	3.6	25000	6 • 7 • 8 • 10	
5P27 1055	DSR-112	---	28.6	28.6	2.7	5.4	25000	8 • 10 • 11 • 12	
5P27 1056	DSR-150	---	38.1	38.1	6.3	12.6	25000	11 • 12 • 14 • 15	
5P27 1057	DSR-200	---	50.8	50.8	19.5	39.0	25000	14 • 15 • 16	
5P27 1058	DSCR-075	---	19.1	22.9	0.8	1.6	10000	4 • 5 • 6	
5P27 1059	DSCR-100	---	25.4	31.8	1.8	3.6	10000	6 • 7 • 8 • 10	
5P27 1060	DSCR-112	---	28.6	38.1	2.7	5.4	10000	8 • 10 • 11 • 12	
5P27 1061	DSCR-150	---	38.1	41.3	6.3	12.6	10000	11 • 12 • 14 • 15	
5P27 1062	DSCR-200	---	50.8	50.8	19.5	39.0	10000	14 • 15 • 16	
5P27 1063	1441	---	15.8	20.0	0.4	0.8	25000	4 • 5 • 6	Substance material : Stainless steel
5P27 1064	3042M	---	12.7	14.2	0.4	0.8	25000	3	
5P27 1065	3082M	---	19.1	19.1	1.3	2.6	25000	3 • 4 • 5 • 6	
5P27 1066	3002M	---	25.4	31.8	1.9	3.8	25000	6 • 7 • 8 • 10	
5P27 1067	3012M	---	28.6	38.1	2.5	5.0	25000	8 • 10 • 11 • 12	
5P27 1068	3045M	---	12.7	19.1	0.4	0.8	10000	3	
5P27 1069	3085M	---	19.1	22.9	1.3	2.6	10000	3 • 4 • 5 • 6	
5P27 1070	3005M	---	25.4	31.8	1.9	3.8	10000	6 • 7 • 8 • 10	
5P27 1071	3015M	---	28.6	38.1	2.5	5.0	10000	8 • 10 • 11 • 12	