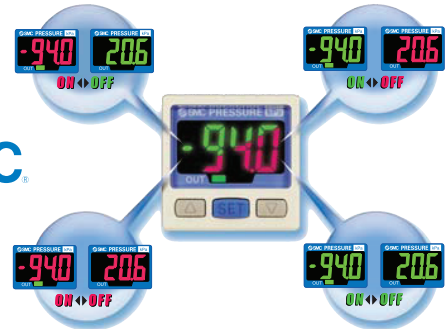
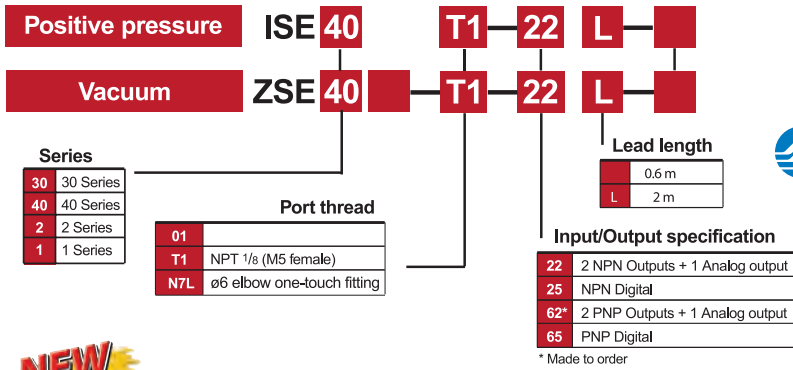


Pressure and Vacuum Switches



For vacuum and low pressure
ZSE30 Series

For positive pressure
ISE30 Series



ISE 30



ISE 40



PS1000



GP46-10-N01L2-C

PS1000 Miniature Dual Output Digital Pressure Switch

Simple pressure or vacuum switch, Potentiometer adjustment, LED Indicator standard, Two wire design allow use in PNP or NPN applications, One-Touch stud fits into KQ2 Series fittings for simplified installation. GP46 Series Analog Gauge with built In pressure switch standard round body pressure gauge, Integrated two wire switch with indicator light.

ISE30 Series Digital Pressure Switch with Two Color Display Pressure and vacuum versions available, Two color display is programmable to allow color change for normal/Abnormal operating conditions, IP65 rated enclosure, Panel mountable.

ISE40 Series Dual Output Digital Pressure Switch

Pressure and vacuum versions available, Two programmable set points with outputs plus analog monitor output, IP65 rated enclosure, Auto-shift and anti-chatter function included, LED display and integrated touchpad make setup easy.

Pressure switches detect pressure of gases or liquids. Built-in circuitry allows for the adjustment of set points and outputs. Outputs are ON-OFF solid state or reed switch type outputs. Some models feature analog outputs. The pressure is detected using solid state, metal diaphragm or piston type sensors. Applications for pressure switches include aer as such as positioning, leakage testing, supply pressure verification, ect. Vacuum switches provide a completely integrated, digital solution designed to monitor vacuum status. Vacuum sensor and switch outputs are integrated into ultra-compact, lightweight units. Easy push button calibration eliminates the need for tools.

Available in either easy-to read LCD with backlight or LED readouts which display current measured value as well as set points and output mode information. Outputs are digital NPN or PNP and analog, with simple programming and multiple application features such as failure prediction and window comparator. Vacuum switches can be integrated directly onto many vacuum generators.

Number	Price	Mfr's	Description	For Series
2V11 0669	---	ZS-24-A	Mounting bracket	ISE40/ZSE40
2V11 0670	---	ZS-24-B	Mounting bracket	ISE40/ZSE40
2V11 0671	---	ZS-22-A	Panel mount	ISE40/ZSE40
2V11 0672	---	ZS-24-C	Panel mount with cover	ISE40/ZSE40
2V11 1104	---	ZS-26-G	Sensor cable	ISE40/ZSE40
2V11 0673	---	ZS-27-B	Bracket	ISE30/ZSE30
2V11 0674	---	ZS-27-C	Panel mount bracket	ISE30/ZSE30

Number	Price	Mfr's	Description	Port Size	Pressure Range (PSI)	Output Type
6J21 0657	---	ISE30-T1-25-L	Digital pressure switch	1/8" NPT	0 to 145	NPN Output
6J21 1950	---	ISE30-T1-28L	Digital pressure switch	1/8" NPT	0 to 145	4 to 20 mA
6J21 0659	---	ISE30-N7L-25-L	Digital pressure switch	1/4" *	0 to 145	NPN Output
6J21 0660	---	ISE30-N7L-65-L	Digital pressure switch	1/4" *	0 to 145	PNP Output
6J21 0662	---	ZSE30-T1-65-L	Digital vacuum switch	1/8" NPT	-14.5 to 14.5	PNP Output
6J21 0664	---	ZSE30-N7L-65-L	Digital vacuum switch	1/4" *	-14.5 to 14.5	PNP Output
6J21 0665	---	ISE40-T1-22L	Digital pressure switch	1/8" NPT	0 to 145	NPN, 2, Analog put
6J21 1100	---	ISE40-01-62L	Digital pressure switch	1/8"	0 to 145	PNP, 2, Analog put
6J21 2124	---	ZSE40-T1-22	Digital vacuum switch	1/8" NPT	0 to 14.69	NPN, 2, Analog put
6J21 1948	---	ZSE40F-01-62L	Digital vacuum switch	1/8"	-14.5 to 14.5	PNP, 2, Analog put
6J21 0893	---	ZSE4-T1-25	Digital vacuum switch	1/8" NPT	0 to 14.7	NPN
6J21 0915	---	ZSE1-T1-55	Vacuum switch	1/8" NPT	-14.5 to 14.5	PNP
6J21 1095	---	ZSE1-T1-55L	Vacuum switch	1/8" NPT	-14.5 to 14.5	PNP
6J21 1947	---	ISE2L-T1-15	Pressure switch	1/8" NPTF	0 to 14.5	NPN Output
6J21 1949	---	ZSE2-T1-15C	Vacuum switch	1/8" NPTF	0 to 14.645	NPN Output
6J21 2202	---	PS1000-R06L	Vacuum switch	1/4" Tube *	0 to 65.27	2 Wire
6J21 0675	---	PS1000-R07L	Positive pressure switch	1/4" Tube	0 to 65.27	2 Wire
6J21 0676	---	PS1100-R07L	Vacuum switch	1/4" Tube	0 to 65.27	3 Wire
6J21 0677	---	GP46-10-N01L2-C	Analog gauge with output	1/8" NPT	0 to 145	110 VAC With light
6J21 0678	---	GP46-10-N01L5-C	Analog gauge with output	1/8" NPT	0 to 145	24 VDC With LED

* With one-Touch fittings.