

Flowmeters

Acrylic Panel - Mount Flowmeters

Maximum Pressure : Water 125 PSI @ 21° C; Air 100 PSI @ 21° C.

Maximum Temperature : Water 54° C; Air 37° C.

Accuracy : See table.

With Brass
Control Valve



These flowmeters have inlet and outlet connections located on the back, so they extend through your control panel for quick installation. All have a direct-reading scale on an easy to read square flat surface. They have an acrylic body type 316L stainless steel float and rod and ethylene propylene O-rings and PVC end fittings, except for the flowmeters with 1/4" NPT female connections, which have brass end fittings. Mount vertically. Flowmeters with brass control valve let you measure flow through the meter and make inline flow adjustments.

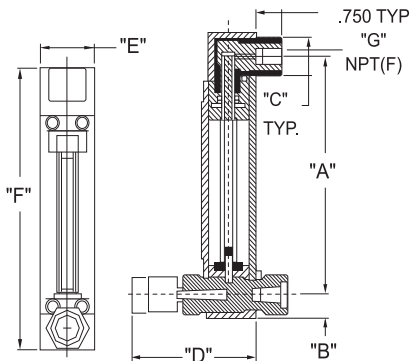
For Air - With NPT Female Connections

With Brass Control Valve		Flow Range	Pipe Size	Accuracy	Scale Ht.	O'all Ht.	Center to Center (A)
Number	Price \$						
4D94 5074	—	2-20 scfh	1/4"	±6%	2"	4 1/8"	3"
4D94 5075	—	2-30 scfh	1/4"	±6%	2"	4 1/8"	3"
4D94 5076	—	6-60 scfh	1/4"	±6%	2"	4 1/8"	3"
4D94 5077	—	10-100 scfh	1/4"	±6%	2"	4 1/8"	3"
4D94 5051	—	20-180 scfh	1/4"	±6%	2"	4 1/8"	3"
4D94 5073	—	0.4-4 scfh	1/4"	±6%	2"	4 1/8"	3"
4D94 5082	—	2-20 scfh	1/2"	±2%	10"	14 1/2"	12 1/4"
4D94 5083	—	4-42 scfh	1/2"	±2%	10"	14 1/2"	12 1/4"

For Water - With NPT Female Connections

With Brass Control Valve		Flow Range	Pipe Size	Accuracy	Scale Ht.	O'all Ht.	Center to Center (A)
Number	Price \$						
4K05 1781	—	0.8-7 gph	1/4"	±6%	2"	4 1/8"	3"
4K05 1731	—	1.2-12 gph	1/4"	±6%	2"	4 1/8"	3"
4K05 1733	—	4.4 -44 gph	1/4"	±6%	2"	4 1/8"	3"
4K05 1734	—	6-60 gph	1/4"	±6%	2"	4 1/8"	3"
4K05 1735	—	5-75 gph	1/4"	±6%	2"	4 1/8"	3"
4K05 1788	—	0.2-2 gpm	1/2"	±2%	10"	14 1/2"	12 1/4"
4K05 1741	—	0.35-3.5 gpm	1/2"	±2%	10"	14 1/2"	12 1/4"
4K05 1789	—	0.4-5 gpm	1/2"	±2%	10"	14 1/2"	12 1/4"
4K05 1791	—	1-10 gpm	1/2"	±2%	10"	14 1/2"	12 1/4"

Teflon® Flowmeters



Model	A	B	C	D	E	F	G
TVA11XX	4.97 (126)	0.56(14)	1.06(27)	3.35(85)	1.25(32)	6.16(156)	1/4
TVA13XX	4.97 (126)	0.56(14)	1.25(32)	4.65(118)	1.50(38)	6.16(156)	3/8
TVA22XX	8.72 (221)	0.88(22)	1.75(44)	4.57(116)	2.00(51)	10.4(264)	1/2
TVA24XX	8.47 (215)	1.00(25)	1.75(44)	5.95(151)	2.25(57)	10.4(264)	3/4

Panel Mounting Drill two holes 3/4" Dia. at 4.97" Apart for 1/4" NPT models, 7/8" Dia. at 4.97" Apart for 3/8" NPT models, 1" Dia. at 8.72" Apart for 1/2" NPT models and 1 1/4" Dia. at 8.47" Apart for 3/4" NPT models (Center-To-Center).

Series TVA All Fluoropolymer Flowmeters

offer solutions for measuring flow rates of highly corrosive or ultra-pure liquids. Flowmeters are designed with 0 to 10 scale graduations denoting a discrete flow rate.

► Specifications

Service : Compatible liquids.

Wetted materials :

Flowtube : Teflon® PFA.

Float and end fittings : Teflon® PTFE.

Guide rods : PCTFE

Temperature limit : 121° C.

Pressure limit : 100psig (6.9bar).

Accuracy : ±5%FS @ 21.1 C and 14.7 psia (1 atm absolute).

Repeatability : ±0.25%.

Leak Integrity : 1x10⁻⁷ SCCS of Helium.

Scales : 0 to 10 markings, 75 mm or 125 mm lengths.

Turn - Down Ratio : 10:1

Mounting : Vertical.



Popular Models

Model No. Low Range				
Valve \$ —	No Valve \$ —	Length	Connections	Flow Rate (H ₂ O) gph (ml/min)
7V71 1113	7V22 1103	75mm	1/4" female NPT	6.34(400)
7V71 1115	7V22 1105	75mm	1/4" female NPT	15.9(1000)
7V71 1317	7V22 1307	75mm	3/8" female NPT	39.6(2500)
7V71 1319	7V22 1309	75mm	3/8" female NPT	79.2(5000)
Model No. High Range				
Valve \$ —	No Valve \$ —	Length	Connections	Flow rate (H ₂ O) gpm (l/min)
8V12 2110	8V72 2010	125mm	1/2" female NPT	3.43(13)
8V12 4112	8V72 4012	125mm	3/4" female NPT	7.93(30)
8V12 4114	8V72 4014	125mm	3/4" female NPT	11.9(45)