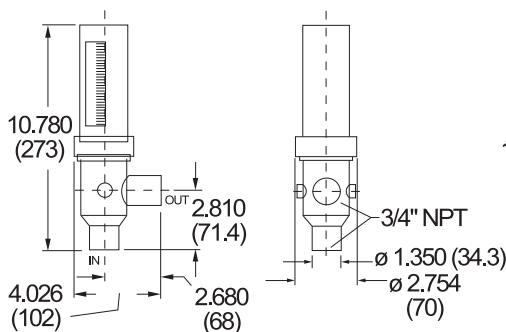
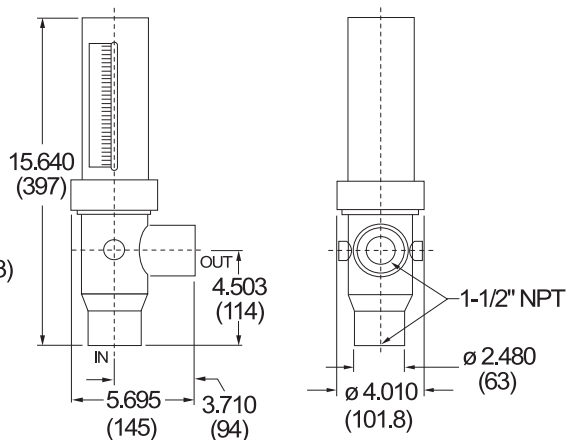


Flowmeters

Stainless Steel Flowmeter



Model SSM 110, 111, 112



Model SSM 113, 115

► Specifications

Service : Compatible liquids.

Wetted materials : T316 SS or brass body depending on series, Alnico magnet, FKM O-ring.

Temperature limits : 149°C temperatures from 149°C to 316°C require "hot top" sold separately.

Pressure limits : 3/4" models : 1000 psig (68.9bar) @ 121°C 1-1/2" models : 800 psig (55 bar) @121°C.

Accuracy : ±2% full scale.

Repeatability : ±0.5% of indicated flow rate.

Process connection : 3/4" or 1 1/2" female NPT.

Scale length : 3/4" models: 3.2" (8 cm) : 1 1/2" models: 5.2" (13 cm).

Weight : 3/4" models : 5lb (2.3kg); 1-1/2" models: 13lb (5.9 kg).



All Metal Flowmeters are ideal for dirty or opaque fluids, high temperature and high pressure service and harsh environments. The direct reading scale provides ±2% accuracy on approximate 25 to 1 ranges, which are wider than typical variable area ball float flow meters.

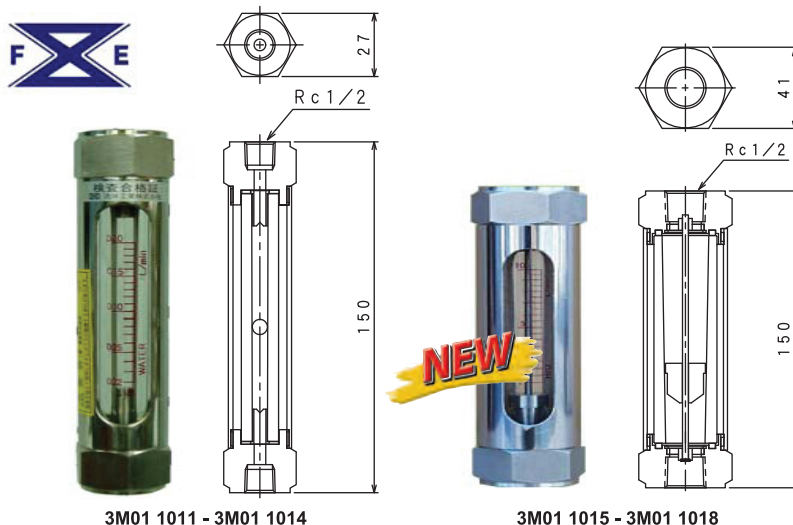
The internal magnet carries the external flow indicator in a non-wetted enclosure. Flowmeters can quickly be disassembled without removing the body from the pipeline for easy cleaning. Pipe adaptors may be used to adapt to alternate size liner without altering accuracy.

Number	Price \$	Mfr's	Range	Connection	Max. Pressure Loss (Inches)
9U84 0800	—	SSM-00	0.20-5.4 GPM water	3/4"	17.2
9U84 0801	—	SSM-01	0.2-10 GPM water	3/4"	22.0
9U84 0802	—	SSM-02	0.5-23 GPM water	3/4"	75.0
9U84 0803	—	SSM-03	0.5-35 GPM water	1-1/2"	18.5
9U84 0804	—	SSM-04	01-50 GPM water	1-1/2"	26.0

Glass Taper Tube Flowmeter

Connection Sizes	Rc 1/2 (Rc 1/4, Rc 3/8 Special Order)
Fluids	H2O • Water
Range Ability	1 : 10 (10~100%)
Accuracy	± 5% F.S.
Max. Working Pressure	0.5 MPa (G)
Working Temp.	0 ~ + 60°
Materials	SUS304 Glass EPDM
Flow Direction	Bottom → Top
Option	With a Valve, With Water

Glass taper tube flowmeter is are the flowmeter of the compact and simple structure which faces squarely and measures float in glass taper tube. It is a flowmeter suitable for inclusion to various equipments, or the attachment to a place with few spaces. Since it is protected in the pipe of stainless steel, the outside of glass taper tube is manufactured strongly.



3M01 1011 - 3M01 1014

3M01 1015 - 3M01 1018

Number	Price \$	Range
3M01 1011	—	0.05 ~ 0.5 L/min
3M01 1012	—	0.1 ~ 1 L/min
3M01 1013	—	0.15 ~ 1.5 L/min
3M01 1014	—	0.2 ~ 2 L/min
3M01 1015	—	0.5 ~ 5 L/min
3M01 1016	—	1 ~ 10 L/min
3M01 1017	—	2 ~ 20 L/min
3M01 1018	—	3 ~ 30 L/min