

Stands

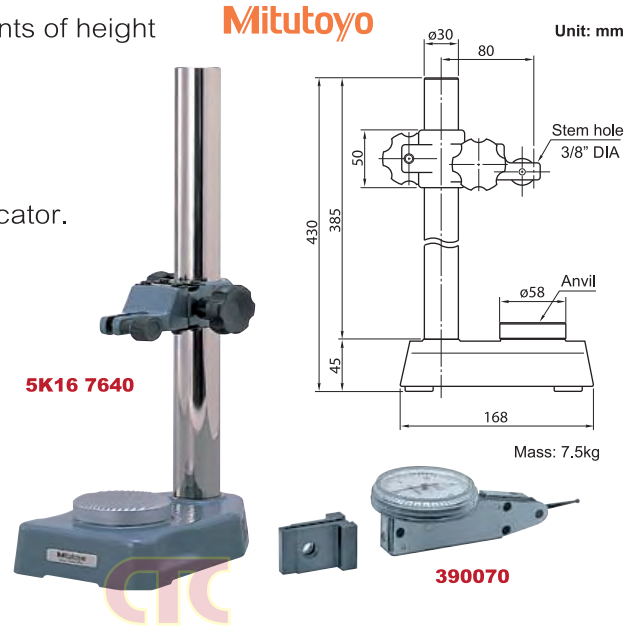
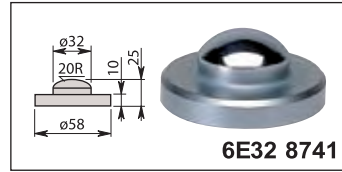
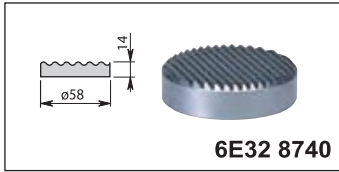
Transfer Stand Series 519

The transfer stands are designed for comparison measurements of height using a dial indicator or digimatic Indicator.

Features

- Vertical travel of the gage holder - Dial gage stand : 100mm, Transfer stand : 335mm
- Fine-adjustment of 1mm available for zero-setting of the indicator.
- With an interchangeable anvil. Domed anvil (101463) and Flat anvil (101461) are optional.

Number	Price ₪	Mfr's	Stem Hole	Remarks
5K16 7640	—	519-109E	3/8" DIA	with serrated anvil (101462)



Optional Accessories

- 6E32 8740 : Hardened steel flat anvil (Flatness : 1μm)
- 6E32 8742 : Dovetail attachment used with test indicators

- 6E32 8741 : Hardened steel domed anvil
- 6E32 8743 : Fine feed bracket assembly (Standard)

Dial Gage Stands Series 7

7K00 5966



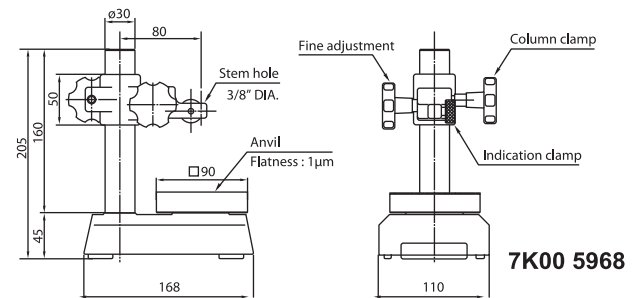
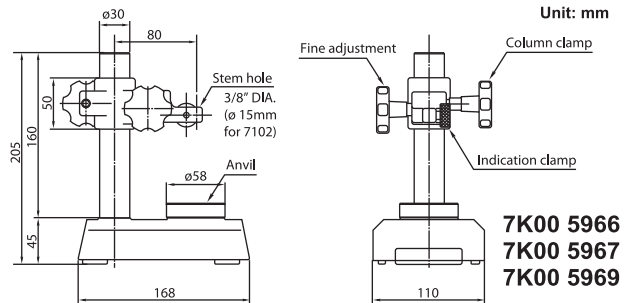
7K00 5967
7K00 5969



7K00 5968



With Ø58mm Serrated Anvil With Ø58mm Flat Anvil 90mm Square Anvil



Inch Size

Number	Price ₪	Mfr's	Stem Hole	Remarks	Mass (kg.)
7K00 5966	—	7003	3/8" DIA	With serrated anvil (101462)	3.95
7K00 5967	—	7004	3/8" DIA	With flat anvil (101461)	3.95
7K00 5968	—	7008	3/8" DIA	With square anvil (58AAA119)	3.95
7K00 5969	—	7102	.591" DIA / Ø15mm	With flat anvil (101461)	6.0

Vertical travel of the gage holder - Dial gage stand : 100mm, Transfer stand : 335mm. Fine - Adjustment of 1mm available for zero - setting of the indicator. With an interchangeable anvil. Domed anvil (101463) is optional.

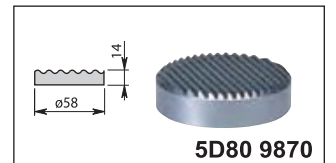
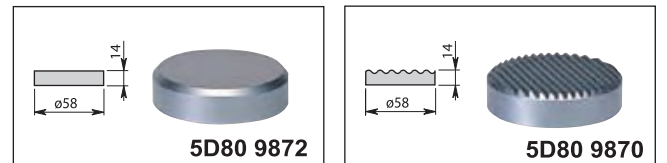
7N20 1197 : Stem collar OP 3/8", IP 8mm (For 7003, 7004, 7012)

5D80 9870 : Hardened steel serrated anvil (Flatness : 1μm)

5D80 9871 : Hardened steel domed anvil

5D80 9872 : Hardened steel flat anvil (Flatness : 1μm)

5D80 9873 : Hardened steel flat anvil. (For 7008)



Mitutoyo

