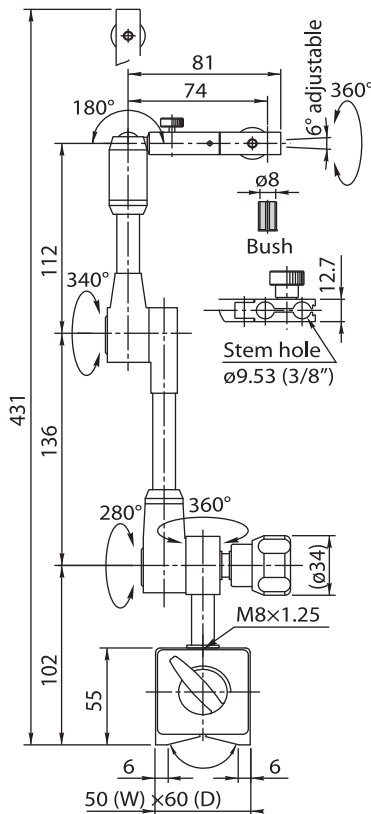


Magnetic Stands Series 7

Unit: mm



7G01 0006

150°

Mitutoyo

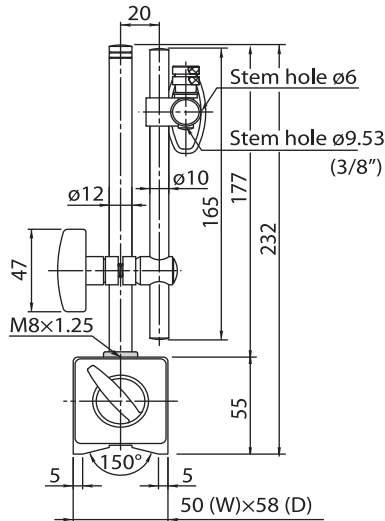


7G01 0001

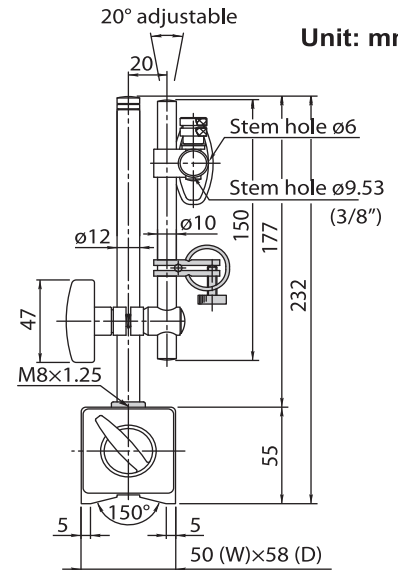


7G01 0004, 7G01 0005

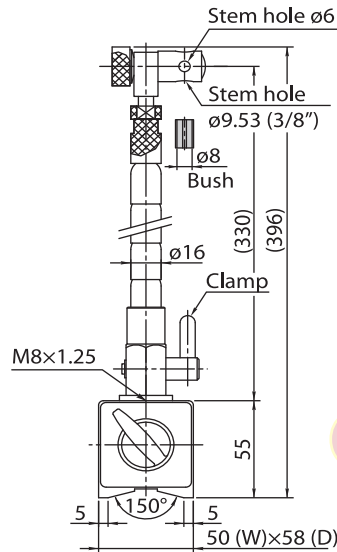
No magnet force ON/OFF



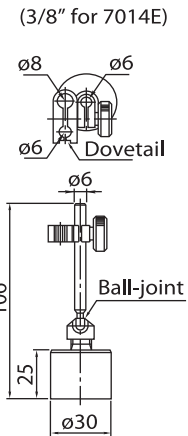
7G01 0001



7G01 0002



7G01 0003



**7G01 0004
7G01 0005**



7G01 0003



7G01 0002



7G01 0006

Mitutoyo's magnetic stands accept all dial indicators and dial test indicators. The ON-OFF switch offers instant mounting and dismounting without any adverse effect to the indicators or workpiece surface.

Number	Price ฿	Mfr's	Description	Applicable Holding Stem Dia.	Dovetail Groove	Remarks
7G01 0001	—	7010S	Magnetic stand	Ø6mm, Ø8mm, Ø9.53mm (3/8")	—	—
7G01 0002	—	7011BN	Magnetic stand	Ø6mm, Ø8mm, Ø9.53mm (3/8")	—	With fine adjustment
7G01 0003	—	7012-10	Magnetic flexi-Stand	Ø6mm, Ø8mm, Ø9.53mm (3/8")	—	For dial test indicator
7G01 0004	—	7014	Mini magnetic stand	Ø6mm, Ø8mm	Provided	Without magnet ON/OFF
7G01 0005	—	7014E	Mini magnetic stand	Ø6mm, Ø8mm, Ø9.53mm (3/8")	Provided	Without magnet ON/OFF
7G01 0006	—	7019	Universal magnetic stand	Ø8mm, Ø9.53mm (3/8")	Provided	With hydraulic position lock