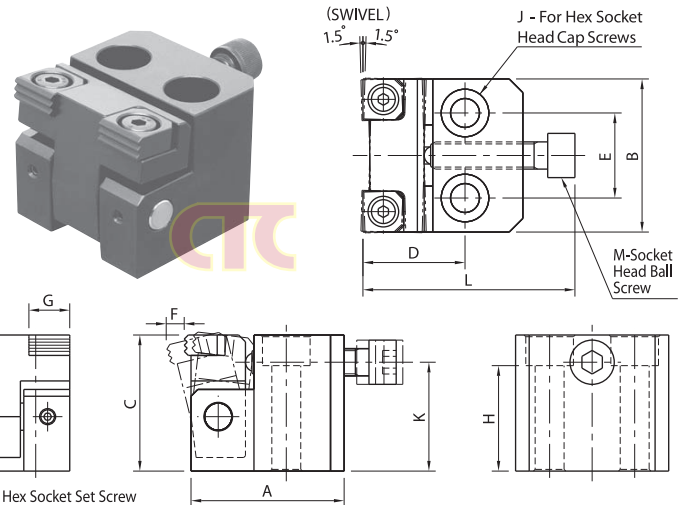


## Side Clamps - Wide Jaw

The jaws move forward and downward as the ball screw is tightened. The jaws swivel 1.5 degrees from center to allow for clamping on uneven surfaces.

Tightening the ball screw forces the clamp forward and downward against the workpiece supports and stops. The body is made from SAE-1045 alloy steel.

The arm is made from SAE-1045 alloy steel, heat treated. The replaceable jaws are serrated for positive holding and are made from M-2 high speed steel, hardened to Rc 60/62. Parts have black oxide finish.



### Metric Size

| Number    | Price ฿ | A  | B  | C  | D  | E  | F   | G  | H  | J   | K  | L    | M          | Clamping Force lbs. | Screw Torque Ft. lbs. |
|-----------|---------|----|----|----|----|----|-----|----|----|-----|----|------|------------|---------------------|-----------------------|
| 999E 5852 | —       | 45 | 45 | 40 | 30 | 25 | 5.3 | 12 | 31 | M8  | 32 | 65.5 | M8 X 1.25  | 2470                | 18                    |
| 999E 5853 | —       | 55 | 55 | 50 | 40 | 30 | 7.1 | 16 | 39 | M10 | 40 | 74.0 | M10 X 1.5  | 4046                | 36                    |
| 999E 5854 | —       | 65 | 65 | 60 | 45 | 35 | 8.0 | 20 | 47 | M12 | 48 | 91.0 | M12 X 1.75 | 5620                | 66                    |

## Side Clamps

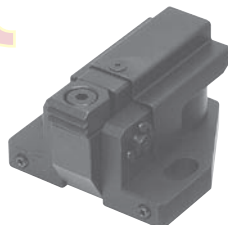
These side clamps have a moving jaw which moves forward and slightly downward for secure workholding. Moving the handle 45 degrees pushes the clamping jaw forward 2mm. When releasing the clamp, the jaws move back for easy insertion and removal of the work piece.

The 150 series provides up to 670 lbs of clamping force and the 200 series provides up to 890 lbs of clamping force. User can attach custom jaws to fit special application.

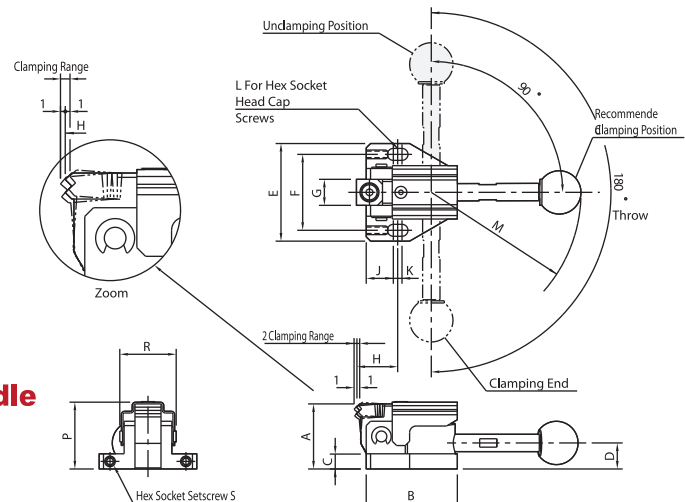
These clamps work very well for repetitive clamping operations. The base is made from SAE-1045 alloy steel, heat treated. The replaceable serrated jaw provides positive holding and is made from M-2 high speed steel, hardened to Rc 60/62. Parts have a black oxide finish. The ball knob is black plastic.



with Handle



without Handle



### Metric Size

| Number    | Price ฿ | A  | B  | C  | D  | E  | F  | G  | H  | J    | K | L  | M   | P  | R  | S        | Clamping Force lbs. |
|-----------|---------|----|----|----|----|----|----|----|----|------|---|----|-----|----|----|----------|---------------------|
| 997N 5852 | —       | 30 | 42 | 7  | 12 | 45 | 35 | 12 | 19 | 12.5 | 4 | M5 | 69  | 31 | 36 | M4 X 0.7 | 650                 |
| 997N 5853 | —       | 40 | 62 | 10 | 16 | 65 | 50 | 16 | 28 | 18.5 | 5 | M8 | 104 | 31 | 38 | M4 X 0.7 | 900                 |